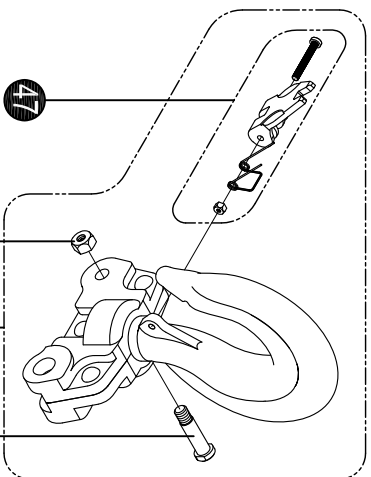
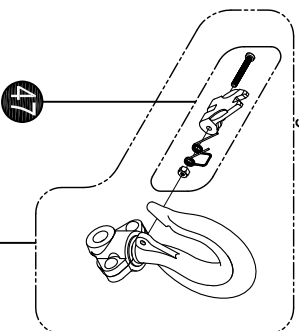


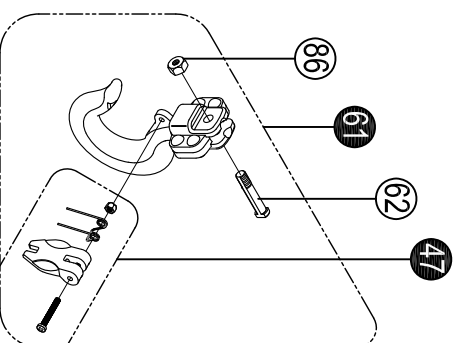
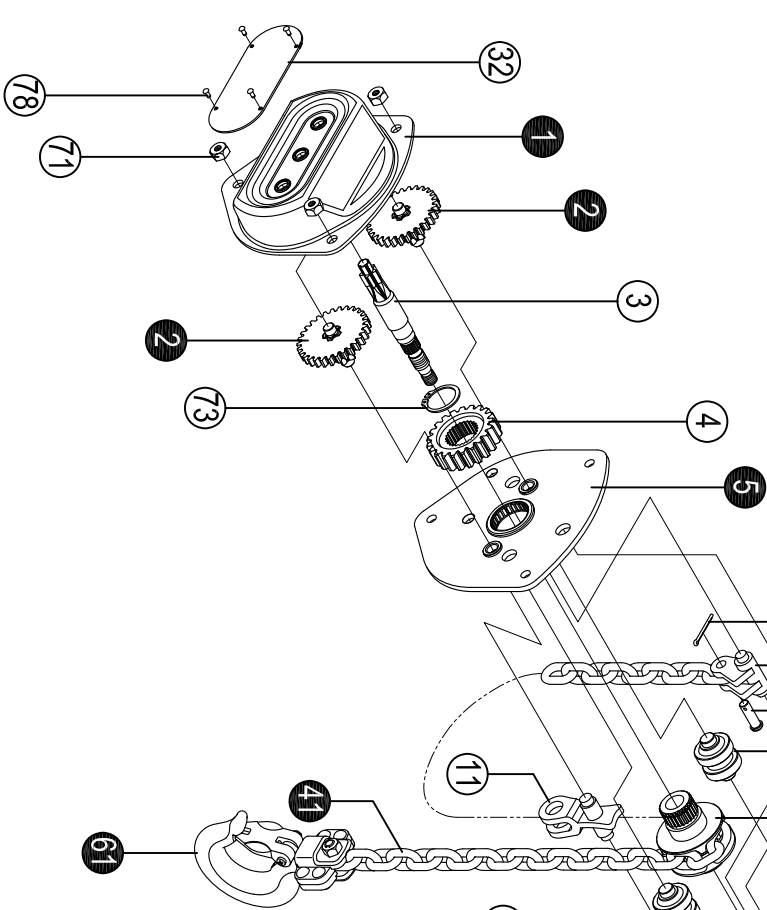
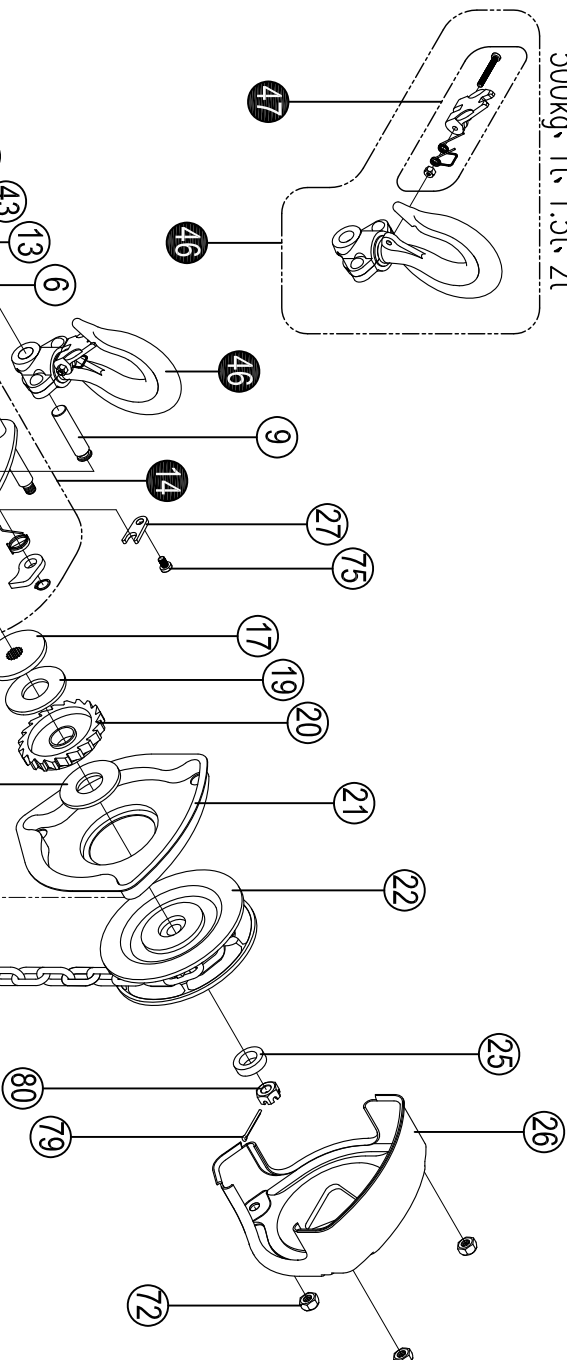
3t, 5t



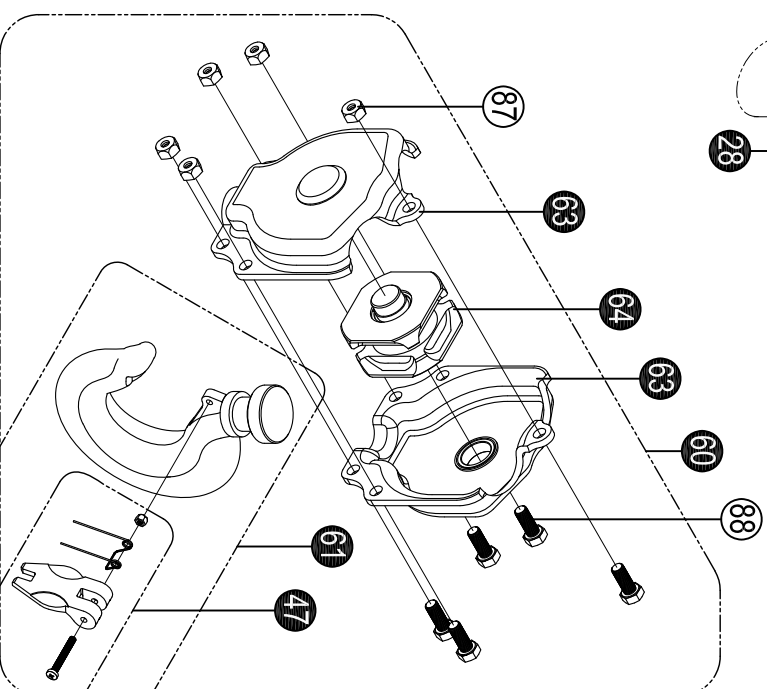
500kg, 1t, 1.5t, 2t



500kg, 1t, 1.5t, 2t, 3t, 5t CHAIN BLOCK



500kg, 1t, 1.5t, 2t



3t, 5t



Work made easy.

HOISTING & LIFTING

Prod.Id.	Description	Pos
4362301	S200-150-1 Gear cover assy	1
4362302	S200-150-2 Disc gear assy	2
4362303	S200-150-3 Drive share	3
4362304	S200-150-4 Splined gear	4
4362305	S200-150-5 Right side plate assy	5
4362306	S200-150-6 Load chain sprocket	6
4362309	S200-150-9 Top hook shaft	9
4362311	S200-150-11 Chain stripper	11
4362313	S200-150-13 Guide roller	13
4362314	S200-150-14 Left sideplate assy	14
4362315	S200-150-15 Pawl spring	15
4362316	S200-150-16 Pawl	16
4362317	S200-150-17 Brake seat	17
4362319	S200-150-19 Friction plate	19
4362320	S200-150-20 Ratchet wheel	20
4362321	S200-150-21 Brake cocer	21
4362323	XCH-150/300-22 Hand chain wheel	22
4362325	S200-150-25 washer	25
4362326	S200-150-26 Hand chain cover	26
4362327	S200-150-27 Positioned Plate	27
4362633	XLINE-30-32 Nameplate	32
4362342	S200-150-42 End anchor	42
4362343	S200-150-43 End anchor pin	43
4362546	S200-300-46 Tophook assy	46
4362547	S200-300-47 safety latch assy	47
4362560	S200-300-60 Bottomhook assy	60
4362361	S200-150-61 Bottom hook assy	61
4362362	S200-150-62 Bottom Hook pin assey	62
4362564	S200-300-64 Idler sheave assy	64
4362371	S200-150-71 Metal lock nut M8	71
4362372	S200-150-72 Metal lock nut M8	72
4362373	S200-150-73 Circlip 30	73
4362374	S200-150-74 Circlip 10	74
4362375	S200-150-75 Cross head screw M6x8	75
4362376	S200-150-76 Split pin 2.5x25	76
4362378	S200-150-78 Nameplate 2.5x6	78
4362379	S200-150-79 Split pin 2.5 x25	79
4362380	S200-150-80 Hexagon recess nut M10	80
4362586	S200-300-86+48 Bold and nut tophook pin	86