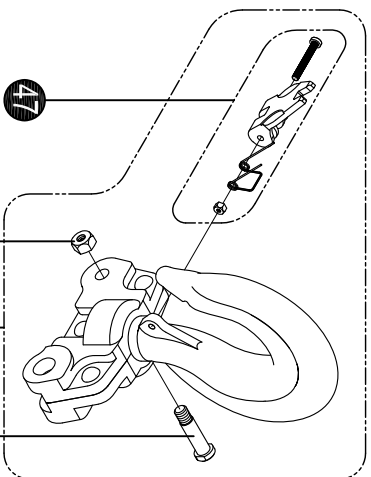
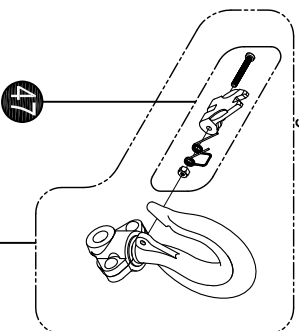


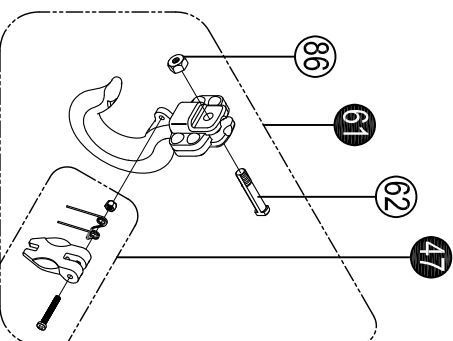
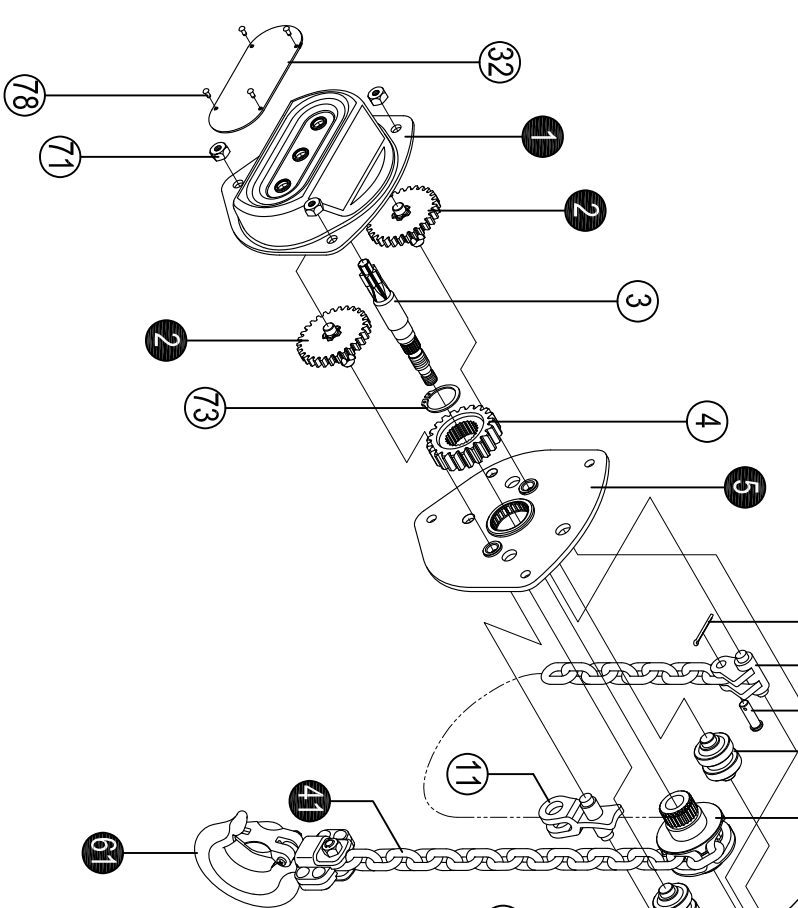
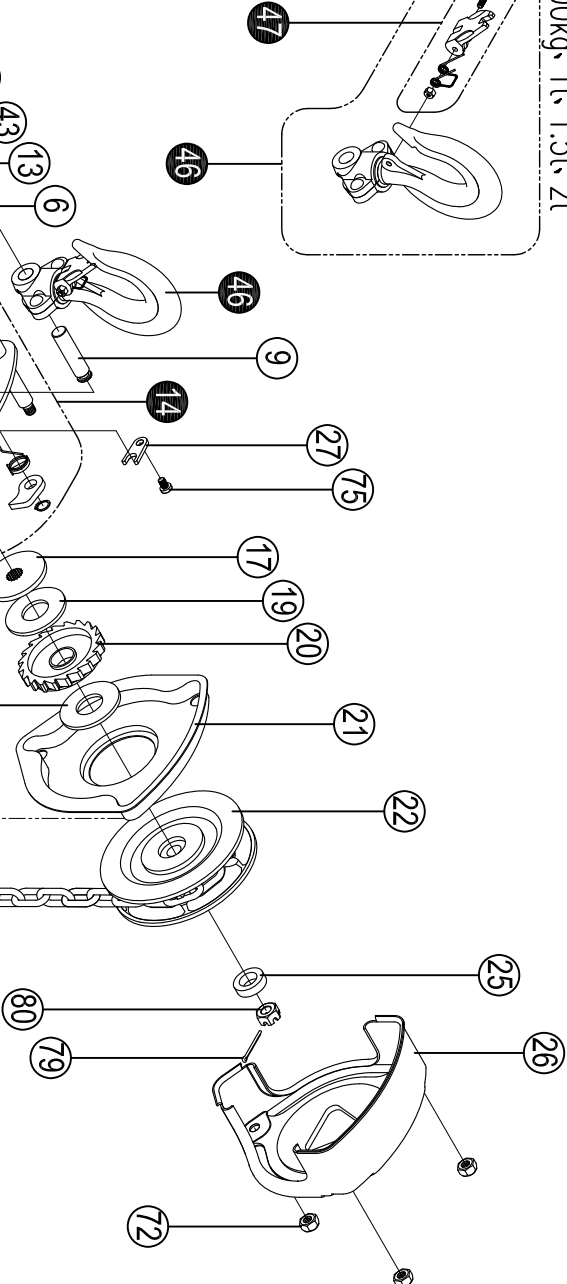
3t, 5t



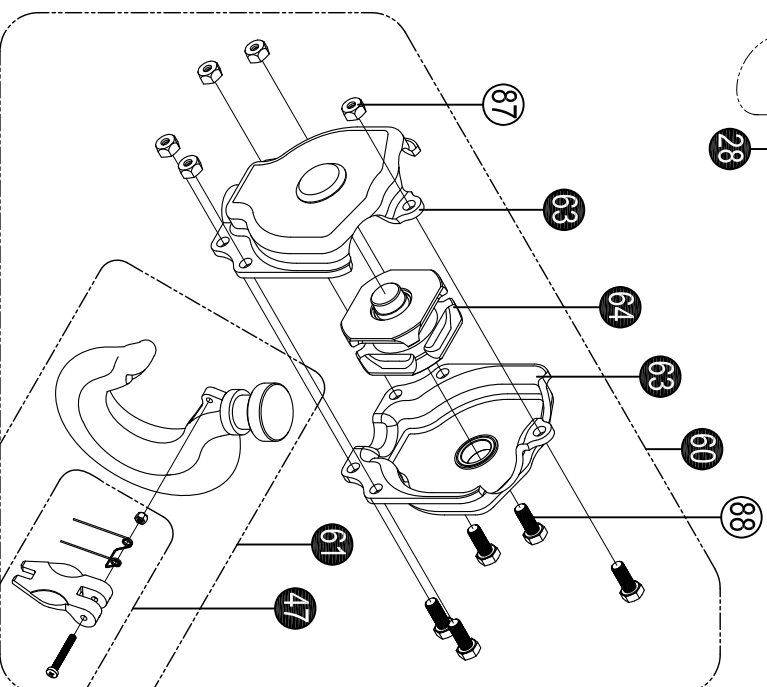
500kg, 1t, 1.5t, 2t



500kg, 1t, 1.5t, 2t, 3t, 5t CHAIN BLOCK



500kg, 1t, 1.5t, 2t



3t, 5t



HOISTING & LIFTING

Work made easy.

Prod.ID	Description	Pos
4362201	CH/S200-100-1 Gear cover assy	1
4362202	CH/S200-100-2 Disc gear assy	2
4362203	CH/S200-100-3 Drive shaft	3
4362204	CH/S200-100-4 Splined gear	4
4362205	CH/S200-100-5 Right side plate assy	5
4362206	CH/S200-100-6 Load chain sprocket	6
4362209	CH/S200-100-9 Top hook shaft	9
4362211	CH/S200-100-11 Chain stripper	11
4362213	CH/S200-100-13 Guide roller	13
4362214	CH/S200-100-14 Left side plate assy	14
4362215	CH/S200-100-15 Pawl spring	15
4362216	CH/S200-100-16 Pawl	16
4362217	CH/S200-100-17 Break seat	17
4362219	CH/S200-100-19 Friction plates (Pair)	19
4362220	CH/S200-100-20 Ratchet wheel	20
4362221	CH/S200-100-21 Brake cover	21
4362223	X-CH-100-22 Hand chain wheel	22
4362225	CH/S200-100-25 washer	25
4362226	CH/S200-100-26 Hand chain cover	26
4362227	CH/S200-100-27 Positioning plate	27
4362233	X-CH-100-32 Nameplate	32
4362242	CH/S200-100-42 End anchor	42
4362243	CH/S200-100-43 End anchor pin	43
4362246	CH/S200-100-46 TOP HOOK	46
4362247	CH/S200-100-47 Safety latch assy	47
4362261	CH/S200-100-61 BOTTOM HOOK	61
4362262	CH/S200-100-62 Bottom Hook pin assembly	62
4362271	CH/S200-100-71 Metal lock nut M8	71
4362272	CH/S200-100-72 Metal lock nut M8	72
4362273	CH/S200-100-73 Circlip 26	73
4362274	CH/S200-100-74 Circlip 10	74
4362275	CH/S200-100-75 Cross head screw M4x6	75
4362276	CH/S200-100-76 Split pin 2.5x25	76
4362278	CH/S200-100-78 Nameplate 2.5x6	78
4362279	CH/S200-100-79 Split pin 2.5x25	79
4362280	CH/S200-100-80 Hexagon recess nut M10	80