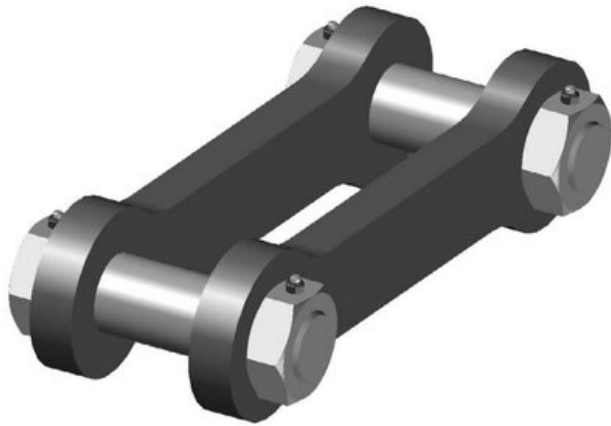


GN H12 Shackle- Double Pin Connector



Product information

We deliver a quality GN H12 Shackle- Double Pin Connector.

Material: Body: High tensile steel. Pin: Alloy steel quenched and tempered.

Marking: According to standard

Temperature range: -20°C up to 200°C

Finish: Painted.

Standard: EN 10204

Safety factor: 5:1

Part Code	WLL ton	MBL ton	Thimble size inch	PL tons	A mm	B mm	C mm	D mm	E mm	X mm	Y mm	Weight kg
420112500320	125	500	12"	300	90	110	170	540	190	520	750	211
420112500325	125	500	15"	300	90	110	200	540	190	550	750	216
420112500326	125	500	18"	300	90	110	225	710	190	575	920	244
420112500327	125	500	21"	300	90	110	250	710	190	600	920	250

Blueprint

